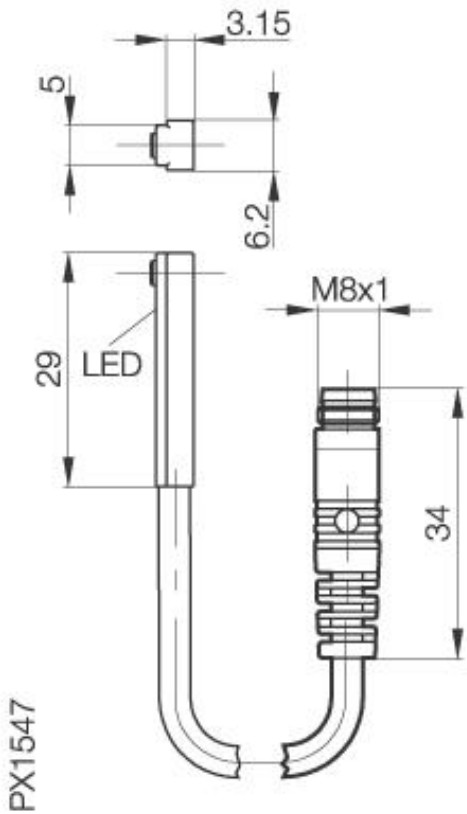


Magnetic Field Sensors
BMF 307K-R-AS-L-3-S49-00,2
29x6,2x4,4



Common Data

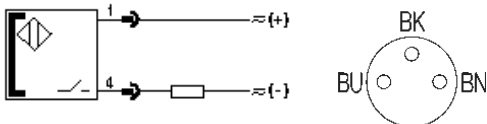
Function indication	yes
Ambient temperature range	-20...+70°C
Particular characteristics	Reed-Switch

Mechanical Data

Measurements BxHxT oder DxT	29x6,2x4,4mm
Tightening torque	10Ncm
Housing material	LCP
Material of sensing face	LCP
Degree of protection	IP67IP
Connection	Cable with Connector S49
Cable type	LiYY0 2x0,14mm ²

Electrical Data

Current type	AC/DC
Wiring	2-Wire
switching function	normally-open
Rated operational voltage	24 AC/DCV
Rated operational current	128 at 24VmA
Supply voltage	4...30V
Ripple	≤ 10% v. Ub
Rated supply frequency	50...60Hz
Voltage drop	≤ 4V
Switch-On-Delay	0,7ms
Switch-Off-Delay	0.2ms



Datasheet number:

Definitions see general catalog.
 If not otherwise noted, ratings according to
 IEC 60947-5-2 (DIN EN60947-5-2)

Balluff GmbH
 Schurwaldstrasse 9
 73765 Neuhausen a.d.F.
 Phone (07158) 173-0 Fax (07158) 5010

Datenblatt by CD-ROM - 04/2007

BALLUFF
 sensors worldwide